

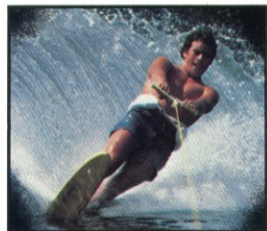
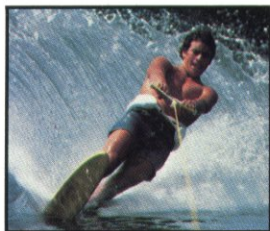
Nikon
EL-NIKKOR
ENLARGING LENSES...

**ADVANCING THE FRONTIERS OF
OPTICAL PRECISION**



Nikon EI-NIKKOR ENLARGING LENSES

represent the most advanced state of the lensmaker's art. Each Nikon EI-Nikkor lens provides a level of performance unsurpassed in its class. Performance is, in fact, so high, that excellent results are possible even with inexpensive enlargers.



COVERING POWER.

Nikon EI-Nikkor lenses will fully cover the formats for which they were designed with superb resolution. This assures extreme sharpness within the entire magnification range of any given focal length. Prints of outstanding quality are the result of Nikon EI-Nikkor's optical performance.

ILLUMINATION ACROSS THE FIELD.

Nikon EI-Nikkor lenses are designed to provide brilliant, even illumination corner-to-corner even at wide apertures. Evenness of illumination across the field holds a consistent level of brilliance right down to minimum apertures. The resulting prints are free from fall-off at the corners.

CORRECTION FOR CHROMATIC

ABERRATION. The optical elements of Nikon EI-Nikkor lenses are made of the same glass types as Apo-Nikkor lenses. This means that the performance levels of Nikon EI-Nikkor are so high that they may be used for color separation work and, of course, for outstanding performance in all enlarging applications. Print quality is sharp, crisp and without annoying color fringing.

NEAR UV CORRECTION.

While the human eye is not sensitive to ultraviolet light, both color and black and white papers are. Nikon EI-Nikkor lenses are specifically designed for ultraviolet transmission through the use of special optical glass and matching optical coatings in the 350nm to 450nm range. This assures critical focusing which in turn produces superb sharpness and brilliance in the final printed image.

IMAGE RESOLUTION.

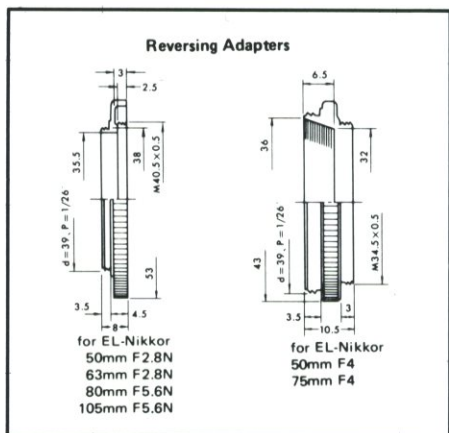
The inherently high resolution of Nikon EI-Nikkor lenses is retained through a design that produces a completely flat field corner-to-corner. In addition, critical focus is maintained at all apertures. Optimum performance is achieved producing crisp, needle sharp images across the field and brilliant print quality.



USING YOUR NIKON EL-NIKKOR AS A CAMERA LENS.

The Nikon EL-Nikkor makes a superb taking lens when used at close working ratios.* It is ideal for still life, extreme close-ups of all kinds, including flowers and every type of

small-object photography. When the size of the image is larger than the size of the object, use of the Nikon Reverse Adapter assures critically sharp performance.



THE NIKON REVERSE ADAPTER.

Best possible lens performance is achieved when the front element of the Nikon EL-Nikkor faces the larger image. In ordinary enlarging work the front element faces the print which is larger than the negative. For reductions or photography where magnifications are more than 1X (subject smaller than image), the Nikon Reverse Adapter allows the lens to be used in the reverse position, giving dramatically improved performance. Nikon EL-Nikkor lenses of a 135mm focal length and longer, have the reverse adapter built into the front of the lens.

*See Technical Data for Individual Lenses

The full range of Nikon EI-Nikkor lenses covers all existing popular formats from 35mm to 11 x 14 inches. Each Nikon EI-Nikkor is optimized for the best possible magnification range for the format being used. This assures superb performance with both resolution and illumination across the field unsurpassed in its class. Performance is so high in fact, that the most critical color work, including color separations, may be made with total confidence.





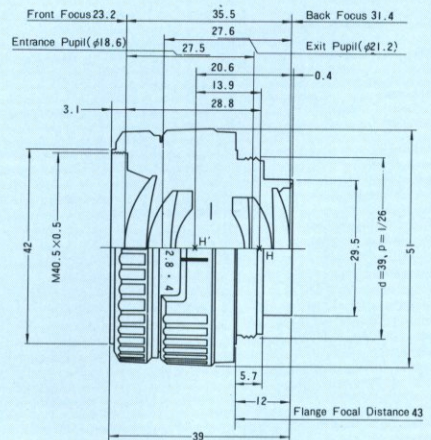
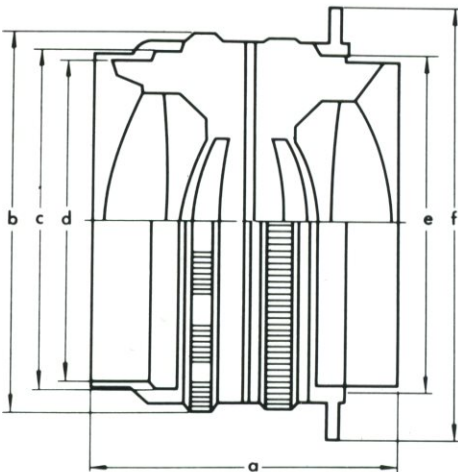


50mmF2.8N

Focal length	52.1mm
Minimum f/stop	f/16
Lens construction	4 - 6
Standard magnification	8X
Usable magnification range	2X ~ 20X
Covering power	46°
Correction wavelength range	380 ~ 700m μ
Format size	1 in. x 1.5 in. (24 x 36mm)
Max. negative diagonal	1.7 in. (43.2mm ϕ)
Weight	3.7 oz. (105g)
Length (a)	1.5 in. (39mm)
Diameter (b)	2.0 in. (51mm)
Front mount size (dia. x pitch) (c)	Not applicable
Attachment size (dia. x pitch) (d)	40.5mm ϕ x 0.5mm
Rear mount size (dia. x pitch) (e)	39mm ϕ x 1/26 in.
Flange diameter (f)	Not applicable

REFERENCE TO KEY LETTERS.

Use this chart as a guide to lens dimensions and distances shown in the technical specifications and diagrams for each lens.





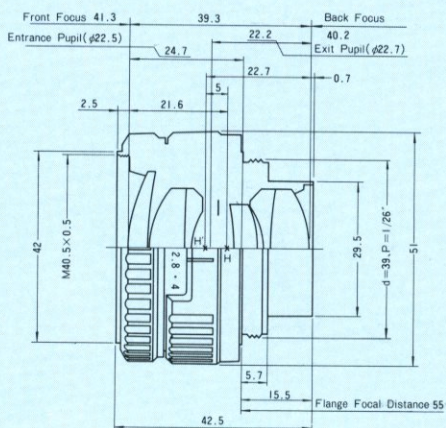
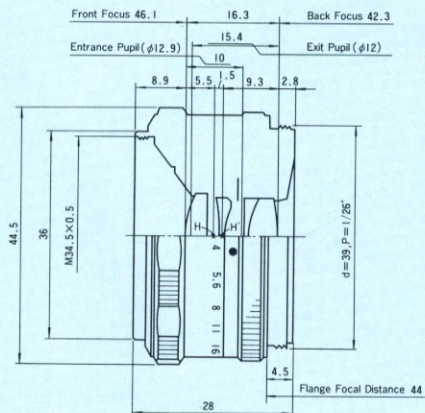
50mmF4

Focal length	51.6mm
Minimum f/stop	f/16
Lens construction	3 - 4
Standard magnification	8X
Usable magnification range	2X ~ 20X
Covering power	46°
Correction wavelength range	380 ~ 700nm μ
Format size	1 in. x 1.5 in. (24 x 36mm)
Max. negative diagonal	1.7 in. (43.2mm ϕ)
Weight	3.5 oz. (100g)
Length (a)	1.1 in. (28mm)
Diameter (b)	1.8 in. (44.5mm)
Front mount size (dia. x pitch) (c)	Not applicable
Attachment size (dia. x pitch) (d)	34.5mm ϕ x 0.5mm
Rear mount size (dia. x pitch) (e)	39mm ϕ x 1/26 in.
Flange diameter (f)	Not applicable



63mmF2.8N

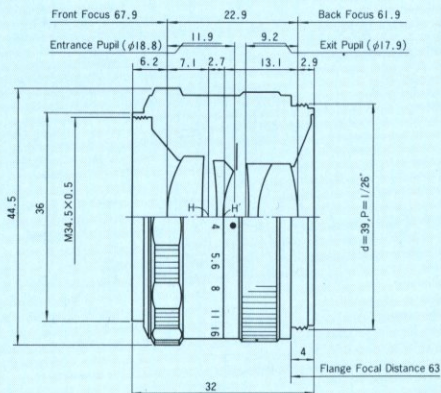
Focal length	62.9mm
Minimum f/stop	f/16
Lens construction	4 - 6
Standard magnification	8X
Usable magnification range	2X ~ 20X
Covering power	46°
Correction wavelength range	380 ~ 700nm μ
Format size	1.3 in. x 1.8 in. (32 x 45mm)
Max. negative diagonal	2.2 in. (55.2mm ϕ)
Weight	4.2 oz. (120g)
Length (a)	1.7 in. (42.5mm)
Diameter (b)	2.0 in. (51mm)
Front mount size (dia. x pitch) (c)	Not applicable
Attachment size (dia. x pitch) (d)	40.5mm ϕ x 0.5mm
Rear mount size (dia. x pitch) (e)	39mm ϕ x 1/26 in.
Flange diameter (f)	Not applicable





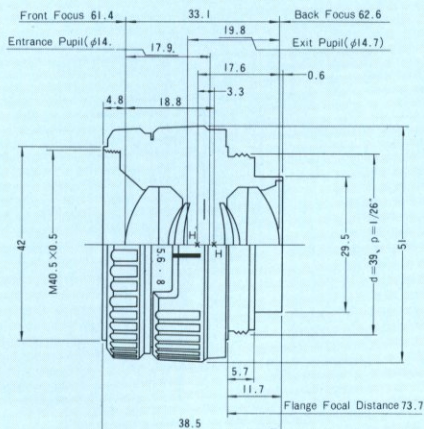
75mmF4

Focal length	75mm
Minimum f/stop	f/45
Lens construction	3 — 4
Standard magnification	5X
Usable magnification range	2X ~ 10X
Covering power	52°
Correction wavelength range	380 ~ 700μm
Format size	2.4 in. x 2.4 in. (60 x 60mm)
Max. negative diagonal	3.1 in. (80mmø)
Weight	2.8 oz. (80g)
Length (a)	1.3 in. (32mm)
Diameter (b)	1.8 in. (44.5mm)
Front mount size (dia. x pitch) (c)	Not applicable
Attachment size (dia. x pitch) (d)	34.5mmø x 0.5mm
Rear mount size (dia. x pitch) (e)	29mmø x 1/26 in.
Flange diameter (f)	Not applicable



80mmF5.6N

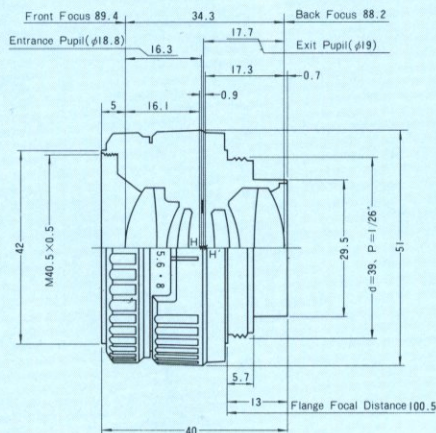
Focal length	80.1mm
Minimum f/stop	f/32
Lens construction	4 — 6
Standard magnification	5X
Usable magnification range	2X ~ 15X
Covering power	56°
Correction wavelength range	380 ~ 700μm
Format size	2.4 in. x 2.8 in. (60 x 70mm)
Max. negative diagonal	3.7 in. (95mmø)
Weight	3.5 oz. (100g)
Length (a)	1.5 in. (38.5mm)
Diameter (b)	2.0 in. (51mm)
Front mount size (dia. x pitch) (c)	Not applicable
Attachment size (dia. x pitch) (d)	40.5mmø x 0.5mm
Rear mount size (dia. x pitch) (e)	39mmø x 1/26 in.
Flange diameter (f)	Not applicable





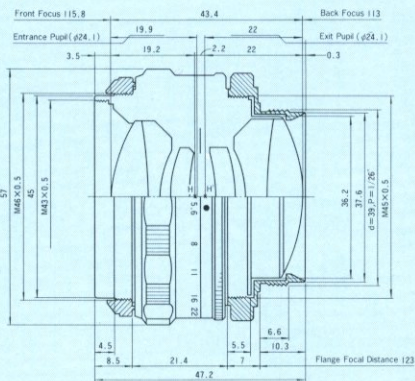
105mmF5.6N

Focal length	105.5mm
Minimum f/stop	f/32
Lens construction	4 — 6
Standard magnification	5X
Usable magnification range	2X ~ 10X
Covering power	51°
Correction wavelength range	380 ~ 700μ
Format size	2.4 in. x 3.5 in. (60 x 90mm)
Max. negative diagonal	4.7 in. (120mmø)
Weight	3.9 oz. (110g)
Length (a)	1.6 in. (40mm)
Diameter (b)	2.0 in. (51mm)
Front mount size (dia. x pitch) (c)	Not applicable
Attachment size (dia. x pitch) (d)	40.5mmø x 0.5mm
Rear mount size (dia. x pitch) (e)	39mmø x 1/26 in.
Flange diameter (f)	Not applicable



135mmF5.6

Focal length	135mm
Minimum f/stop	f/45
Lens construction	4 — 6
Standard magnification	5X
Usable magnification range	2X ~ 10X
Covering power	54°
Correction wavelength range	380 ~ 700μ
Format size	4 in. x 5 in. (90 x 120mm)
Max. negative diagonal	6.3 in. (160mmø)
Weight	9.2 oz. (260g)
Length (a)	1.9 in. (47.2mm)
Diameter (b)	2.2 in. (57mm)
Front mount size (dia. x pitch) (c)	46mmø x 0.5mm
Attachment size (dia. x pitch) (d)	43mmø x 0.5mm
Rear mount size (dia. x pitch) (e)	39mmø x 1/26 in.
Flange diameter (f)	Not applicable





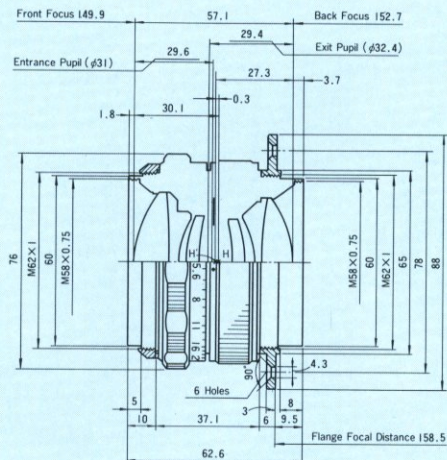
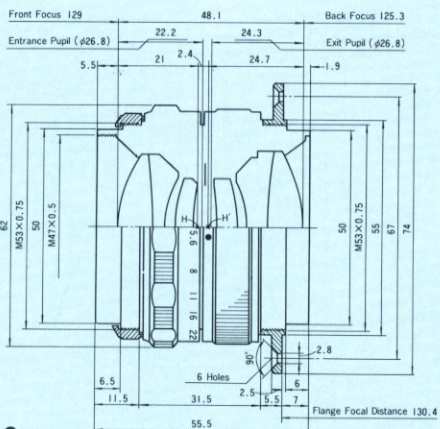
150mmF5.6N

Focal length	150mm
Minimum f/stop	f/45
Lens construction	4 - 6
Standard magnification	4X
Usable magnification range	2X ~ 8X
Covering power	54°
Correction wavelength range	380 ~ 700μm
Format size	4 in. x 5 in. (100 x 130mm)
Max. negative diagonal	7.5 in. (190mmø)
Weight	10.6 oz. (300g)
Length (a)	2.2 in. (55.5mm)
Diameter (b)	2.4 in. (62mm)
Front mount size (dia. x pitch) (c)	53mmø x 0.75mm
Attachment size (dia. x pitch) (d)	47mmø x 0.5mm
Rear mount size (dia. x pitch) (e)	53mmø x 0.75mm
Flange diameter (f)	74mm



180mmF5.6N

Focal length	180mm
Minimum f/stop	f/45
Lens construction	4 - 6
Standard magnification	4X
Usable magnification range	2X ~ 8X
Covering power	54°
Correction wavelength range	380 ~ 700μm
Format size	5 in. x 7 in. (130 x 180mm)
Max. negative diagonal	9.1 in. (230mmø)
Weight	15.2 oz. (430g)
Length (a)	2.5 in. (62.6mm)
Diameter (b)	3.0 in. (76mm)
Front mount size (dia. x pitch) (c)	62mmø x 1mm
Attachment size (dia. x pitch) (d)	58mmø x 0.75mm
Rear mount size (dia. x pitch) (e)	62mmø x 1mm
Flange diameter (f)	88mm





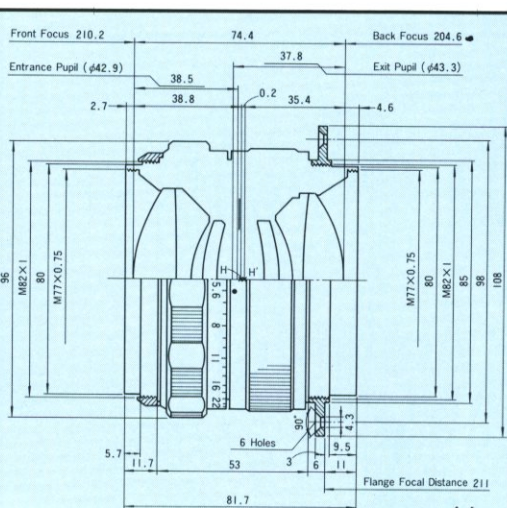
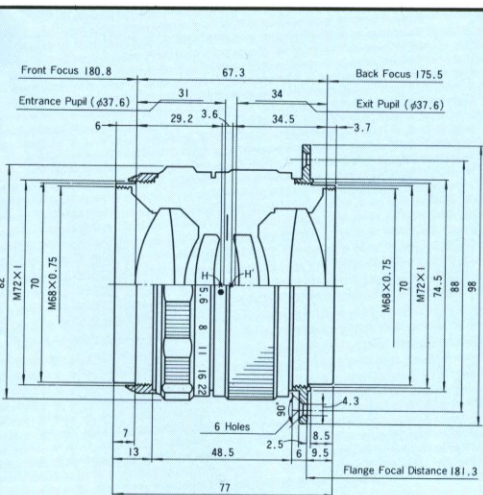
210mmF5.6N

Focal length	210mm
Minimum f/stop	f/45
Lens construction	4 - 6
Standard magnification	4X
Usable magnification range	2X ~ 8X
Covering power	54°
Correction wavelength range	380 ~ 700μm
Format size	5 in. x 7 in. (130 x 210mm)
Max. negative diagonal	10.6 in. (270mmø)
Weight	21.2 oz. (600g)
Length (a)	3.0 in. (77mm)
Diameter (b)	3.2 in. (82mm)
Front mount size (dia. x pitch) (c)	72mmø x 1mm
Attachment size (dia. x pitch) (d)	68mmø x 0.75mm
Rear mount size (dia. x pitch) (e)	72mmø x 1mm
Flange diameter (f)	98mm



240mmF5.6N

Focal length	240mm
Minimum f/stop	f/45
Lens construction	4 - 6
Standard magnification	3X
Usable magnification range	1X ~ 6X
Covering power	54°
Correction wavelength range	380 ~ 700μm
Format size	8 in. x 10 in. (180 x 240mm)
Max. negative diagonal	13.0 in. (330mmø)
Weight	32.1 oz. (910g)
Length (a)	3.2 in. (81.7mm)
Diameter (b)	3.8 in. (96mm)
Front mount size (dia. x pitch) (c)	82mmø x 1mm
Attachment size (dia. x pitch) (d)	77mmø x 0.75mm
Rear mount size (dia. x pitch) (e)	82mmø x 1mm
Flange diameter (f)	108mm





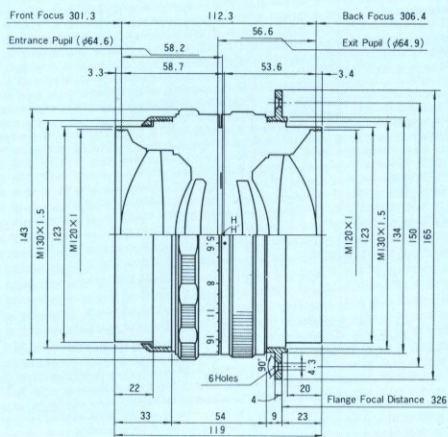
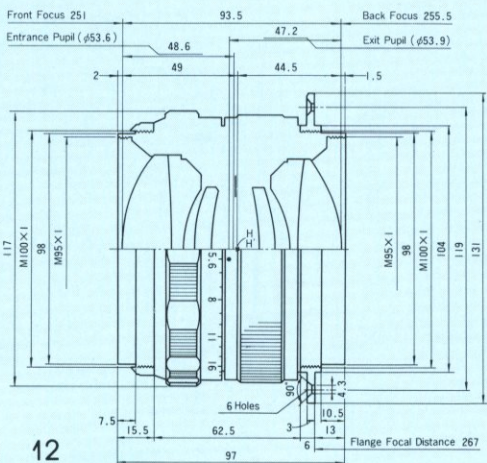
300mmF5.6N

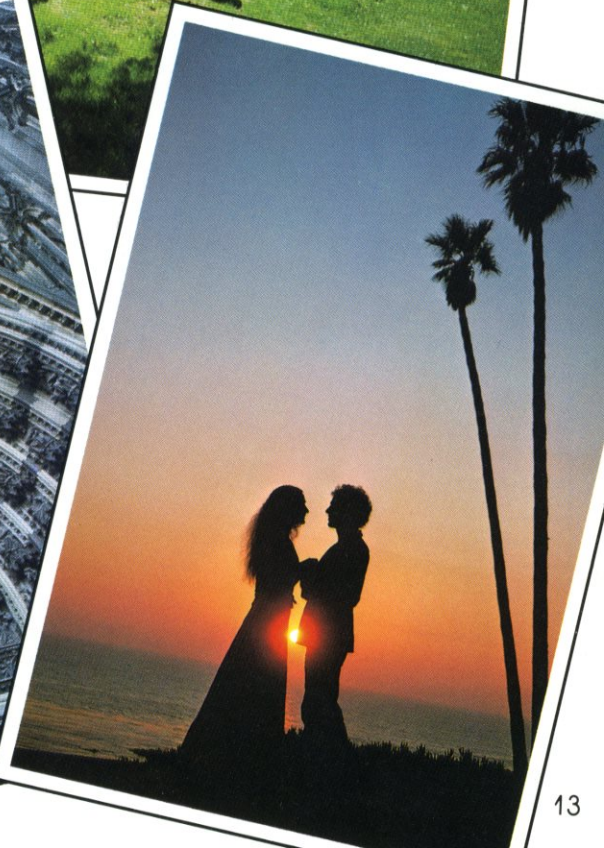
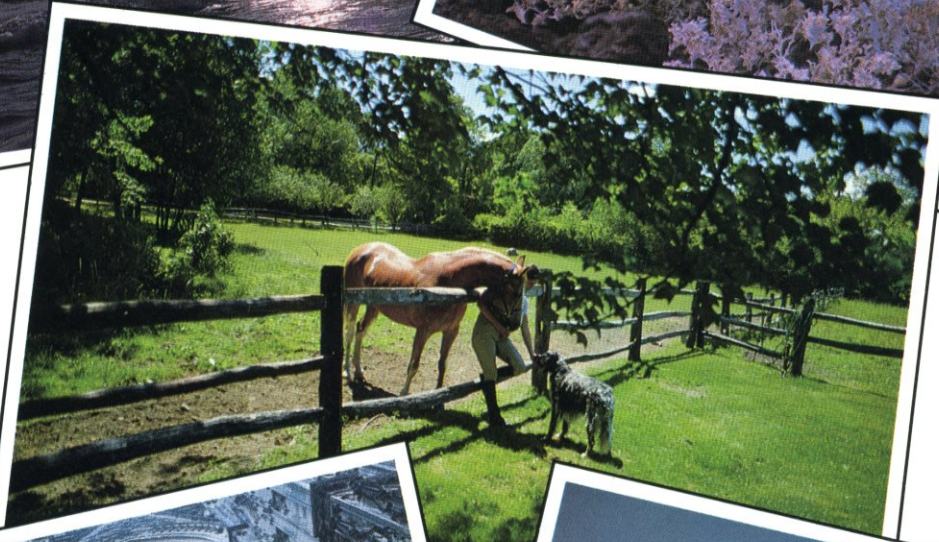
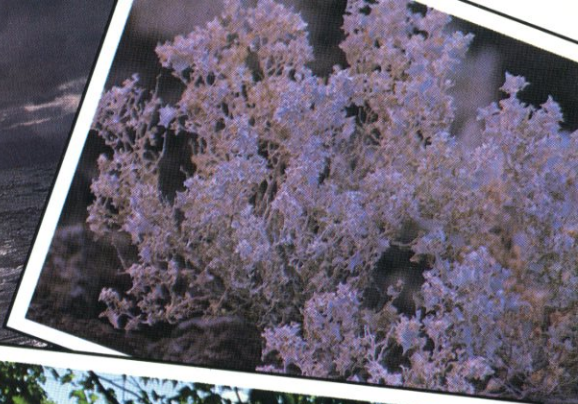
Focal length	300mm
Minimum f/stop	f/45
Lens construction	4 - 6
Standard magnification	2X
Usable magnification range	1X ~ 4X
Covering power	52°
Correction wavelength range	380 ~ 700nm
Format size	10 in. x 12 in. (270 x 330mm)
Max. negative diagonal	17.3 in. (440mm ϕ)
Weight	54.7 oz. (1550g)
Length (a)	3.8 in. (97mm)
Diameter (b)	4.6 in. (117mm)
Front mount size (dia. x pitch) (c)	100mm ϕ x 1mm
Attachment size (dia. x pitch) (d)	95mm ϕ x 1mm
Rear mount size (dia. x pitch) (e)	100mm ϕ x 1mm
Flange diameter (f)	131mm

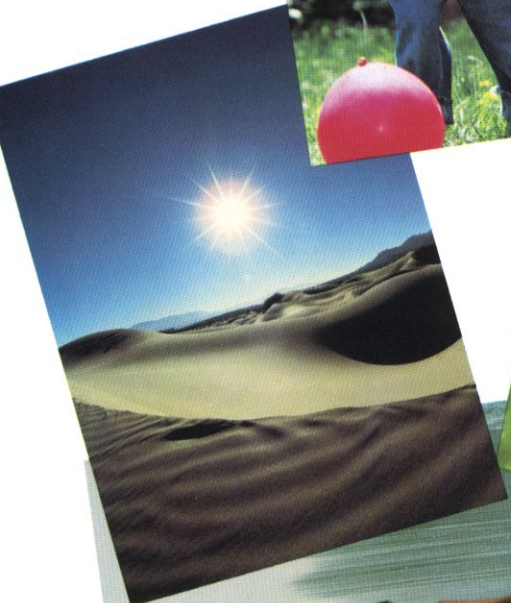


360mmF5.6N

Focal length	360mm
Minimum f/stop	f/45
Lens construction	4 - 6
Standard magnification	2X
Usable magnification range	1X ~ 4X
Covering power	52°
Correction wavelength range	380 ~ 700nm
Format size	11 in. x 14 in. (300 x 400mm)
Max. negative diagonal	19.7 in. (500mm ϕ)
Weight	95.2 oz. (2700g)
Length (a)	4.7 in. (119mm)
Diameter (b)	5.6 in. (143mm)
Front mount size (dia. x pitch) (c)	130mm ϕ x 1.5mm
Attachment size (dia. x pitch) (d)	120mm ϕ x 1mm
Rear mount size (dia. x pitch) (e)	130mm ϕ x 1.5mm
Flange diameter (f)	165mm







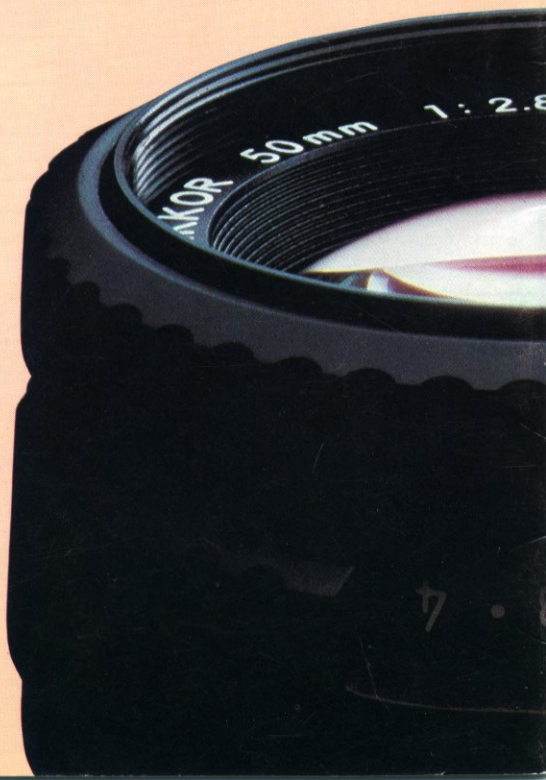
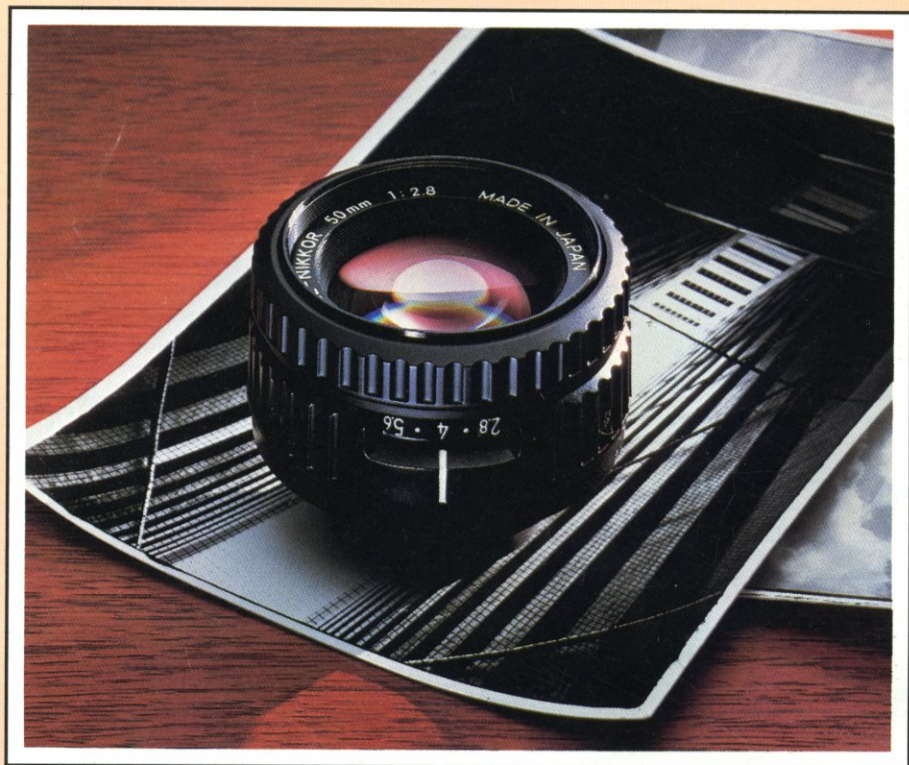
	50mmF2.8N	50mmF4	63mmF2.8N	75mmF4	80mmF5.6N	105mmF5.6N	135mmF5.6
Focal length	52.1mm	51.6mm	62.9mm	75mm	80.1mm	105.5mm	135mm
Minimum f/stop	f/16	f/16	f/16	f/45	f/32	f/32	f/45
Lens construction (group-element)	4-6	3-4	4-6	3-4	4-6	4-6	4-6
Standard magnification	8X	8X	8X	5X	5X	5X	5X
Usable magnification range	2X ~ 20X	2X ~ 20X	2X ~ 20X	2X ~ 10X	2X ~ 15X	2X ~ 10X	2X ~ 10X
Covering power	46°	46°	46°	52°	56°	51°	54°
Correction wavelength range	380 ~ 700μm	380 ~ 700μm	380 ~ 700μm	380 ~ 700μm	380 ~ 700μm	380 ~ 700μm	380 ~ 700μm
Max. neg. diagonal	43.2mm∅	43.2mm∅	55.2mm∅	80mm∅	95mm∅	120mm∅	160mm∅
Format size	24 x 36mm	24 x 36mm	32 x 45mm	60 x 60mm	60 x 70mm	60 x 90mm	90 x 120mm (4 x 5 in.)
Weight	105g	100g	120g	80g	100g	110g	260g
Length	39mm	28mm	42.5mm	32mm	38.5mm	40mm	47.2mm
Diameter	51mm	44.5mm	51mm	44.5mm	51mm	51mm	57mm
Front mount size (dia. x pitch)	N/A	N/A	N/A	N/A	N/A	N/A	46mm∅ x 0.5mm
Attachment size (dia. x pitch)	40.5mm∅ x 0.5mm	34.5mm∅ x 0.5mm	40.5mm∅ x 0.5mm	34.5mm∅ x 0.5mm	40.5mm∅ x 0.5mm	40.5mm∅ x 0.5mm	43mm∅ x 0.5mm
Rear mount size (dia. x pitch)	39mm∅ x 1/26"	39mm∅ x 1/26"	39mm∅ x 1/26"	39mm∅ x 1/26"	39mm∅ x 1/26"	39mm∅ x 1/26"	39mm∅ x 1/26" 45mm∅ x 0.5mm
Flange diameter	N/A	N/A	N/A	N/A	N/A	N/A	N/A

	150mmF5.6N	180mmF5.6	210mmF5.6N	240mmF5.6	300mmF5.6N	360mmF5.6
Focal length	150mm	180mm	210mm	240mm	300mm	360mm
Minimum f/stop	f/45	f/45	f/45	f/45	f/45	f/45
Lens construction (group-element)	4-6	4-6	4-6	4-6	4-6	4-6
Standard magnification	4X	4X	4X	3X	2X	2X
Usable magnification range	2X ~ 8X	2X ~ 8X	2X ~ 8X	1X ~ 6X	1X ~ 4X	1X ~ 4X
Covering power	54°	54°	54°	54°	52°	52°
Correction wavelength range	380 ~ 700μm	380 ~ 700μm	380 ~ 700μm	380 ~ 700μm	380 ~ 700μm	380 ~ 700μm
Max. neg. diagonal	190mm∅	230mm∅	270mm∅	330mm∅	440mm∅	500mm∅
Format size	100 x 130mm (4 x 5 in.)	130 x 180mm (5 x 7 in.)	130 x 210mm (5 x 7 in.)	180 x 240mm (8 x 10 in.)	270 x 330mm (10 x 12 in.)	300 x 400mm (11 x 14 in.)
Weight	300g	430g	600g	910g	1550g	2700g
Length	55.5mm	62.6mm	77mm	81.7mm	97mm	119mm
Diameter	62mm	76mm	82mm	96mm	117mm	143mm
Front mount size (dia. x pitch)	53mm∅ x 0.75mm	62mm∅ x 1mm	72mm∅ x 1mm	82mm∅ x 1mm	100mm∅ x 1mm	130mm∅ x 1.5mm
Attachment size (dia. x pitch)	47mm∅ x 0.5mm	58mm∅ x 0.75mm	68mm∅ x 0.75mm	77mm∅ x 0.75mm	95mm∅ x 1mm	120mm∅ x 1mm
Rear mount size (dia. x pitch)	53mm∅ x 0.75mm	62mm∅ x 1mm	72mm∅ x 1mm	82mm∅ x 1mm	100mm∅ x 1mm	130mm∅ x 1.5mm
Flange diameter	74mm	88mm	98mm	108mm	131mm	165mm

N/A — Not applicable

Special notes on lens usage.

Special attention should be paid to the size and the outline of the mounts of both the enlarger and lens to assure that mounting has been completed properly.



Nikon

©1982 NIKON INC.

Garden City, New York 11530

Specifications subject to change without notice. Nikon and El-Nikkor are registered trademarks of Nikon Inc.