

# **Nikon** Wide-angle Apo-Nikkor Lenses for Photoengraving



# Top quality performance, with

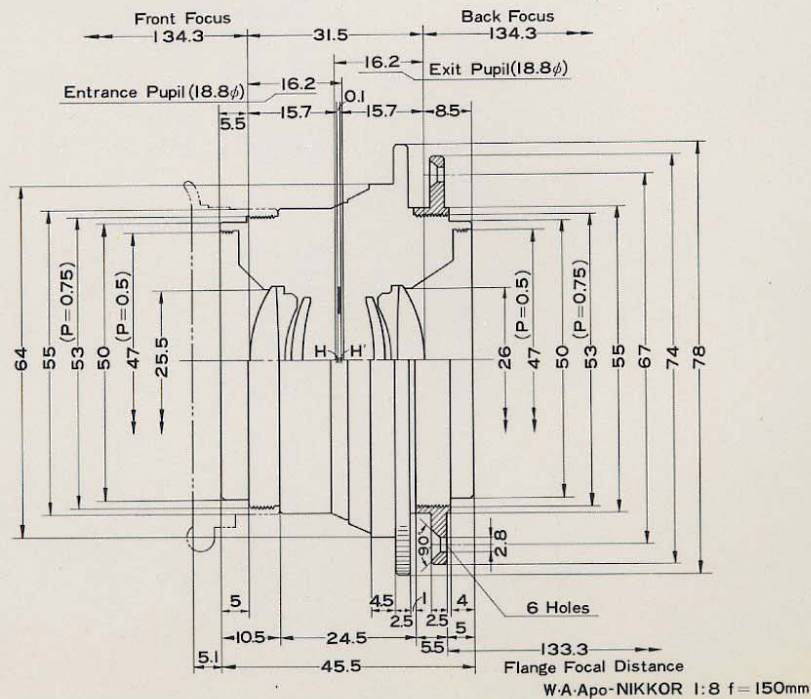
Nikon Wide-angle Apo-Nikkor Lenses provide the same outstanding optical performance of other Apo-Nikkor photoengraving lenses, with the added feature of a wide-angle field of coverage.





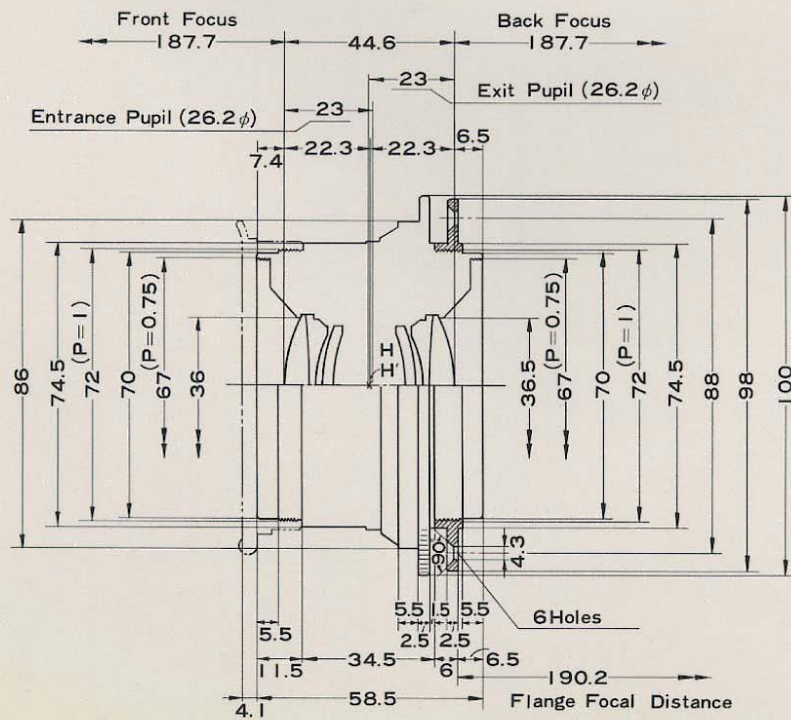
# Wide-angle Apo-Nikkor 150mm f/8

|                             |                               |
|-----------------------------|-------------------------------|
| Focal length                | 150mm                         |
| Maximum aperture ratio      | 1:8                           |
| Minimum f/stop              | f/128                         |
| Lens construction           | 6 elements in 4 groups        |
| Correction wavelength range | 380 ~ 750nm<br>(apochromatic) |
| Standard magnification      | 1X                            |
| Usable magnification range  | 1/10X ~ 10X                   |
| Picture angle               | 60°                           |
| Vignetting                  | 0% (at f/16)                  |
| Image size                  | 350mm $\phi$ (at 1X)          |
| Original size               | 350mm $\phi$ (at 1X)          |
| Overall working distance    | 600mm (at 1X)                 |
| Weight                      | 240g                          |
| Diameter                    | 78mm                          |
| Length                      | 50.6mm                        |
| Rear mount size             | 53mm (P = 0.75mm)             |
| Front mount size            | 53mm (P = 0.75mm)             |
| Attachment size             | 47mm (P = 0.5mm)              |
| Flange diameter             | 74mm                          |



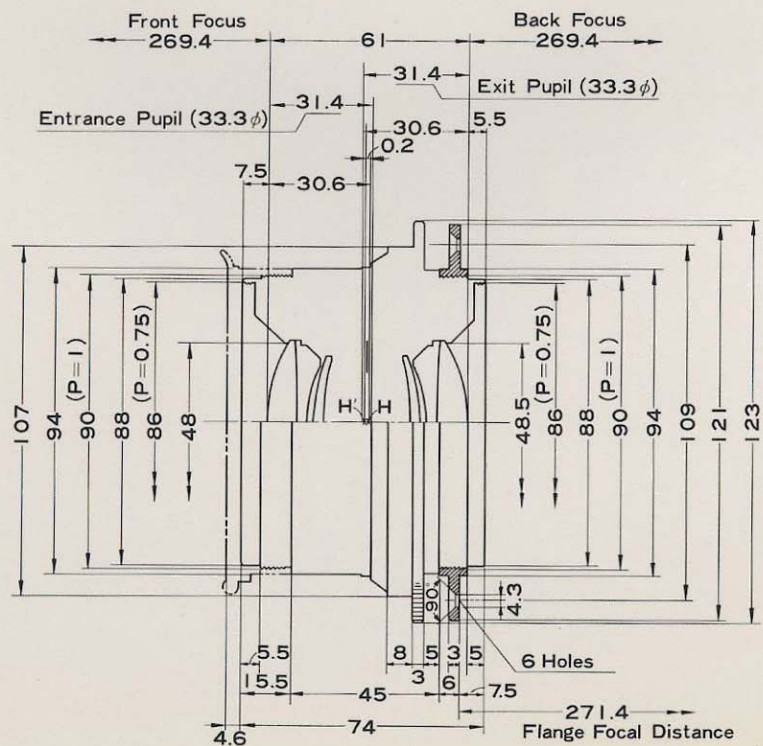
# Wide-angle Apo-Nikkor 210mm f/8

|                             |                               |
|-----------------------------|-------------------------------|
| Focal length                | 210mm                         |
| Maximum aperture ratio      | 1:8                           |
| Minimum f/stop              | f/128                         |
| Lens construction           | 6 elements in 4 groups        |
| Correction wavelength range | 380 ~ 750nm<br>(apochromatic) |
| Standard magnification      | 1X                            |
| Usable magnification range  | 1/10X ~ 10X                   |
| Picture angle               | 57°                           |
| Vignetting                  | 0% (at f/16)                  |
| Image size                  | 460mm $\phi$ (at 1X)          |
| Original size               | 460mm $\phi$ (at 1X)          |
| Overall working distance    | 840mm (at 1X)                 |
| Weight                      | 455g                          |
| Diameter                    | 100mm                         |
| Length                      | 62.6mm                        |
| Rear mount size             | 72mm (P = 1mm)                |
| Front mount size            | 72mm (P = 1mm)                |
| Attachment size             | 67mm (P = 0.75mm)             |
| Flange diameter             | 98mm                          |



# Wide-angle Apo-Nikkor 300mm f/9

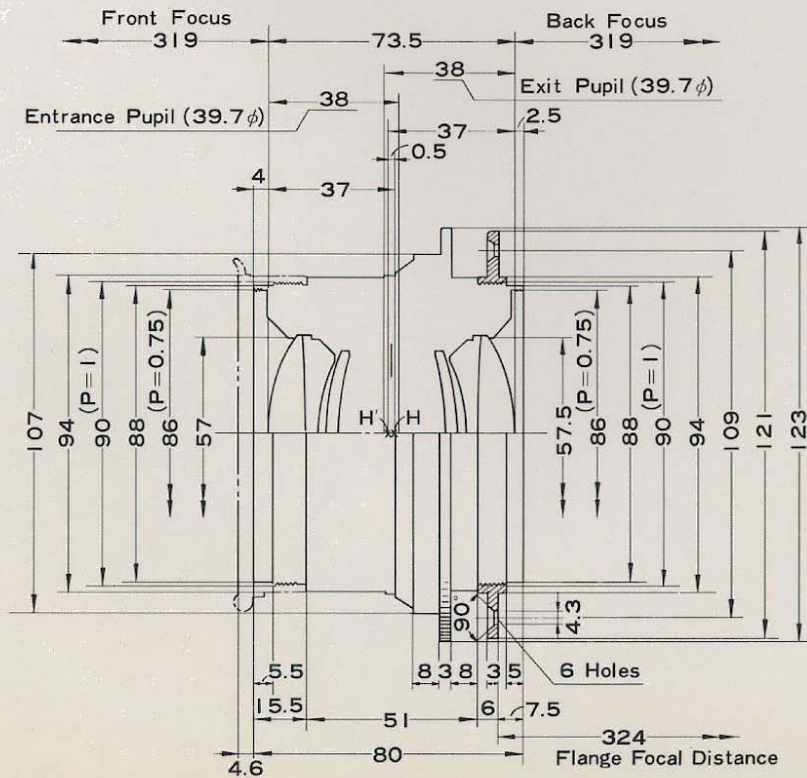
|                             |                               |
|-----------------------------|-------------------------------|
| Focal length                | 300mm                         |
| Maximum aperture ratio      | 1:9                           |
| Minimum f/stop              | f/128                         |
| Lens construction           | 6 elements in 4 groups        |
| Correction wavelength range | 380 ~ 750nm<br>(apochromatic) |
| Standard magnification      | 1X                            |
| Usable magnification range  | 1/10X ~ 10X                   |
| Picture angle               | 54°                           |
| Vignetting                  | 0% (at f/16)                  |
| Image size                  | 610mm $\phi$ (at 1X)          |
| Original size               | 610mm $\phi$ (at 1X)          |
| Overall working distance    | 1,200mm (at 1X)               |
| Weight                      | 840g                          |
| Diameter                    | 123mm                         |
| Length                      | 78.6mm                        |
| Rear mount size             | 90mm (P = 1mm)                |
| Front mount size            | 90mm (P = 1mm)                |
| Attachment size             | 86mm (P = 0.75mm)             |
| Flange diameter             | 121mm                         |





# Wide-angle Apo-Nikkor 360mm f/9

|                             |                               |
|-----------------------------|-------------------------------|
| Focal length                | 356mm                         |
| Maximum aperture ratio      | 1:9                           |
| Minimum f/stop              | f/128                         |
| Lens construction           | 6 elements in 4 groups        |
| Correction wavelength range | 380 ~ 750nm<br>(apochromatic) |
| Standard magnification      | 1X                            |
| Usable magnification range  | 1/10X ~ 10X                   |
| Picture angle               | 54°                           |
| Vignetting                  | 0% (at f/16)                  |
| Image size                  | 730mm $\phi$ (at 1X)          |
| Original size               | 730mm $\phi$ (at 1X)          |
| Overall working distance    | 1,440mm (at 1X)               |
| Weight                      | 970g                          |
| Diameter                    | 123mm                         |
| Length                      | 84.6mm                        |
| Rear mount size             | 90mm (P = 1mm)                |
| Front mount size            | 90mm (P = 1mm)                |
| Attachment size             | 86mm (P = 0.75mm)             |
| Flange diameter             | 121mm                         |



The equipment shown in this catalog represents the latest available at the time of this printing. Designs and specifications are subject to change without notice.



**NIPPON KOGAKU K.K.**

Fuji Bldg., 2-3, 3-chome, Marunouchi,  
Chiyoda-ku, Tokyo 100, Japan  
☎ (03) 214-5311 Telex: J22601 (NIKON)

**NIPPON KOGAKU (U.S.A.) INC.**

623 Stewart Avenue, Garden City, New York 11530, U.S.A.  
☎ (516) 248-4120 Telex: 096-7756 (NKUSA GRCY)

**NIKON EUROPE B.V.**

Freeport Bldg., Schiphol-Centrum, The Netherlands  
☎ (020) 156633 Telex: 13328 (NIKON NL)

**NIKON AG**

Kaspar-Fenner-Strasse 6, 8700 Küsnacht/ZH, Switzerland  
☎ (01) 909261 Telex: 53208 (NIKON CH)

**NIKON G.m.b.H.**

4000 Düsseldorf 30, Uerdinger Strasse 96-102, West Germany  
☎ (0211) 451061 Telex: 8584019 (NIKO D)

Printed in Japan

8217-01 KEC 509-3/1